



安裝說明

Mounting instructions

單體式電子便座

Shower toilet seat



重要说明

ZH-TW

3

Important information

EN

5



安装, Mounting

7

ZH-TW

1 關於本文件

本產品的所有文件以及詳細介紹均可線上獲取：

> 訪問 qr.duravit.com 或 www.duravit.com 查看線上文檔，並在搜索框中輸入產品編號。

2 安全

2.1 文件用途

本手冊是 Duravit 產品的組成部分。如不遵循其中的規定，可能會導致人身傷害、產品損壞和/或財產損失。

> 請閱讀並遵照手冊中的要求。

> 妥善保管本文件，並將其交給下一任使用者。

我司保留對所示產品進行技術改進和外觀修改的權利。

2.2 安裝人員及資質

僅可由衛生設備安裝技師實施安裝工作。

- 衛生設備安裝技師是指經過相關技術培訓、具備專業知識和經驗的人員，他們能夠識別並避免在衛生設備安裝過程中可能出現的危險和風險。
- 衛生設備安裝技師能夠選擇和使用適當的防護裝備。
- 衛生設備安裝技師瞭解並遵守當地供能供水企業的安裝規定和國家特定標準。

2.3 電氣安全

2.3.1 電擊可導致生命危險

如與電接觸，會導致致命的電擊。

2.3.2 一般注意事項

- > 僅可將本產品連接至指定電源。
- > 產品必須正確接地。只有在接地正確的情況下才可使用本產品。
- > 在安裝前將電氣元件與電源斷開。
- > 避免意外接通供電。
- > 檢查所有元件是否無電壓。
- > 切勿用濕手觸摸電源線。
- > 如果電源線損壞，為了避免危險，必須由製造商、其維修部或類似部門的專業人員更換。
- > 禁止拆卸單個組件。

2.3.3 避免冷凝

- > 切勿將產品安裝在過於潮濕的房間內。確保通風良好，以防止電氣元件上出現冷凝。
- > 如果產品從低溫處移到暖和的地方，請先將其關閉幾個小時，以避免可能出現的冷凝。

2.4 衛生

2.4.1 髒水、污水或長期積水對健康的損害

使用髒水、污水或長期積水進行清洗可能會危害健康。

- > 本產品僅可使用自來水管道的冷飲用水。
- > 請勿連接廢水、髒水、工業用水、海水或其他未經處理和僅半處理的水。
- > 請使用隨產品附帶的新供水水管，禁止使用舊供水水管。
- > 如果產品已經有兩周或更長時間沒有使用，請啟動額外的自動清潔功能。

2.5 避免產品損壞

2.5.1 一般注意事項

- > 請僅使用安裝套件中的零配件，以防發生故障。
- > 請僅使用 Duravit 推薦的配件。
- > 不可使用膠黏劑為固定方式，因膠黏劑不視為可靠的固定方式。

2.5.2 冷凍水造成的損壞

> 請勿在有霜凍風險的房間內安裝和使用本產品。室內溫度不得低於 4 °C (39 °F)。

2.5.3 鈣化造成的損壞

在硬水質地區，可能會出現水垢沉積。水垢會影響本產品的性能。

> 請檢查您所在地區的水質。如果水的硬度 ≥ 14 °dH (2.5 mmol/l)，Duravit 建議安裝軟水裝置。

3 安裝現場要求

陶瓷馬桶安裝正確。

> 請遵守單獨的安裝說明。



4 技術資料

電氣連接	
額定電壓	110 V, 60 Hz
額定功率	1080 W
斷路器	$I_N = 16 \text{ A}$
RCD	$I_N = 30 \text{ mA}$
防護類型	IPX4
防護等級	I
電纜規格	供電線的橫截面 1 - 2.5 mm ² (17 - 14 AWG)
水管連接	
冷水	DN 15 (1/2")
水壓	0.07 - 0.75 MPa (10 - 109 psi)
水硬度	最大 2.4 mmol/l (240 ppm)

5 安裝說明

1 安裝方案

A: 壁掛式馬桶隱藏式安裝

B: 單體式馬桶隱藏式安裝

A 方案在各種安裝方案中最有代表性。

2 請遵循 安裝說明。

> 請遵守單獨的安裝說明。

13 檢查密閉性

> 檢查密閉性。

27 + 36 產品測試

> 檢查產品是否正常工作。

> 請遵循操作手冊。

⚠ 注意

髒水、污水或長期積水對健康的損害

使用髒水、污水或長期積水進行清洗可能會危害健康。

> 如果產品已經有兩周或更長時間沒有使用，請啟動額外的自動清潔功能。



EN

1 About this document

All documents related to this product and further information are available online:

- > Access the online documents at qr.duravit.com or www.duravit.com and enter the article code in the search field.

2 Safety

2.1 Purpose of the document

The instructions are part of the Duravit product. Failure to follow the instructions may result in personal injury, product damage and/or property damage.

- > Read and follow the instructions.
- > Keep this document and pass it on to subsequent users.

We reserve the right to make technical improvements and visual changes to the products illustrated.

2.2 Target readership and qualifications

All work associated with the installation may only be undertaken by plumbers.

- Plumbers are persons with the appropriate technical training, knowledge and experience so that they can recognise and avoid dangers and risks that may arise during the installation in the sanitary area.
- Plumbers are qualified to select and use suitable protective equipment.
- Plumbers are familiar with and observe the installation regulations of local utility companies and country-specific standards.

2.3 Electrical safety

2.3.1 Risk of fatal injury caused by electric shock

Contact with electricity can lead to a fatal electric shock.

2.3.2 General precautions

- > Connect the product only to the specified power supply.
- > The product must be earthed. Do NOT operate the product without proper grounding.
- > Disconnect electrical components from the power supply before the installation.
- > Prevent the power supply from being switched on accidentally.
- > Check that all components are de-energised.
- > NEVER touch the power supply cable with wet hands.

- > If the power supply cable on this product is damaged, it must be replaced by the manufacturer, the customer service agent or similarly qualified persons in order to avoid a hazard.

- > Do NOT remove individual components.

2.3.3 Avoid condensation

- > Do NOT install the product in a room exposed to excessive moisture. Ensure sufficient ventilation to avoid condensation in electric components.
- > When the product is brought from a cold location to a warm one, leave the unit switched off for a few hours to avoid condensation.

2.4 Hygiene

2.4.1 Damage to health caused by dirty, polluted or long standing water

Operating the shower functions with dirty, polluted or long standing water can cause damage to health.

- > Supply the product with cold drinking water from the main water system.
- > Do NOT connect any waste water, grey water, industrial water, sea water or other untreated or semi-treated water.
- > Only use the water supply hoses provided with the product. Do NOT reuse old hoses.
- > If the product has NOT been used for two weeks or more, activate the additional self-cleaning.

2.5 Avoid product damage

2.5.1 General precautions

- > Only use the parts in the installation kit to avoid malfunctions.
- > Only use attachments recommended by Duravit.
- > Do NOT use adhesive to fixate.

2.5.2 Damage through freezing water

- > Do NOT install and operate the product in rooms where there is a danger of frost. The room temperature must not be less than 4 °C (39 °F).

2.5.3 Damage due to limescale build-up

Limescale can build-up in regions with hard water. Limescale can impair the performance of the product.

- > Check the water quality in the region. Duravit recommends the installation of a water softener with water hardness ≥ 14 °dH (2.5 mmol/l).



3 Requirements at the installation location

The toilet bowl is installed properly.

- > Observe the separate mounting instructions.

4 Technical data

Electrical connection	
Rated voltage	110 V, 60 Hz
Rated power	1080 W
Circuit breaker	$I_N = 16 \text{ A}$
RCD	$I_N = 30 \text{ mA}$
Protection degree	IPX4
Protection class	I
Cable specification	Supply line cross section 1 – 2.5 mm ² (17 – 14 AWG)

Water connection	
Cold water	DN 15 (1/2 ")
Water pressure	0.07 – 0.75 MPa (10 – 109 psi)
Water hardness	Max. 2.4 mmol/l (240 ppm)

5 Mounting instructions

1 Installation possibilities

A: Concealed installation with wall-mounted toilet

B: Concealed installation with one-piece toilet

A is described as representative for other installation possibilities.

2 Observe the mounting instructions

- > Observe the separate mounting instructions.

13 Checking for leaks

- > Check for leaks.

27 + 36 Testing the product

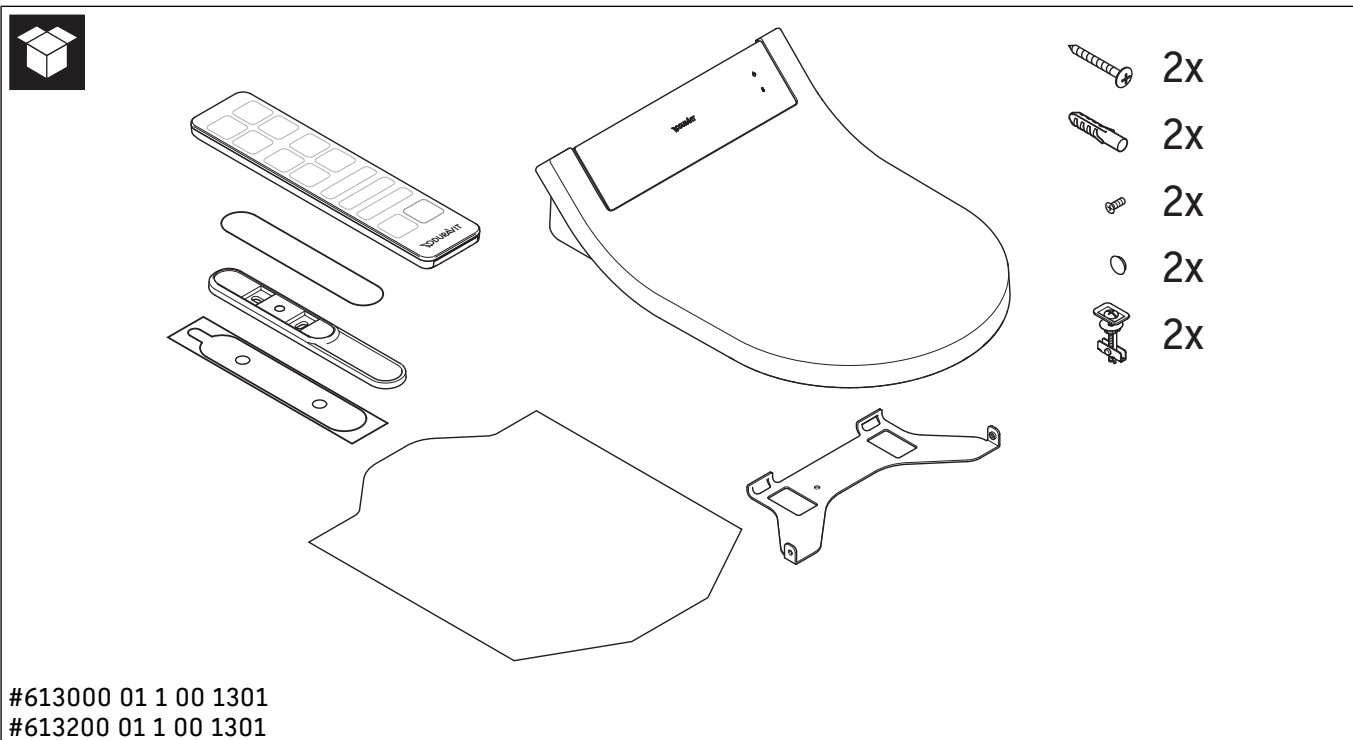
- > Check if the product works properly.
- > Observe the user manual.

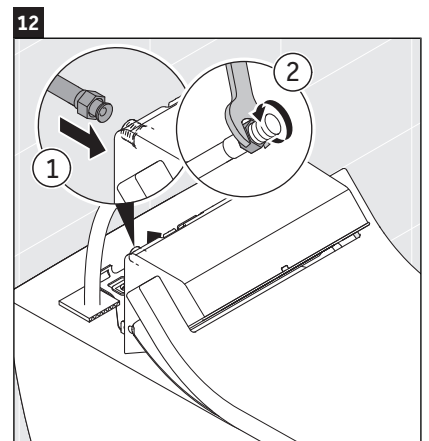
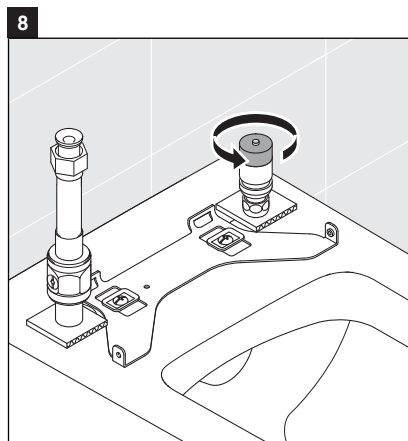
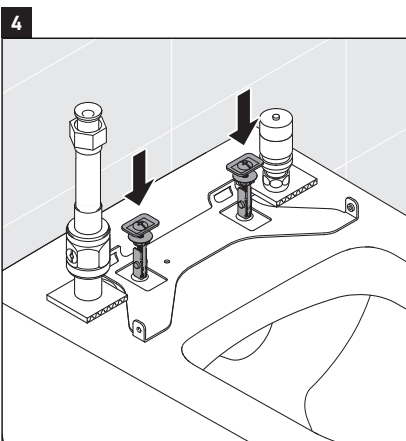
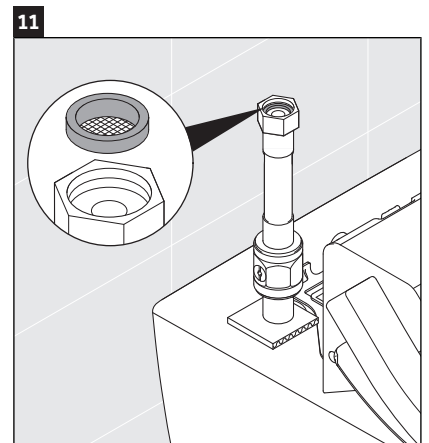
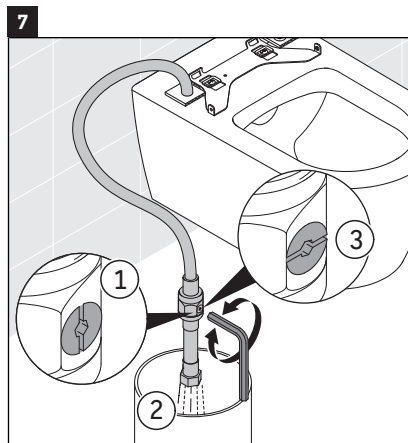
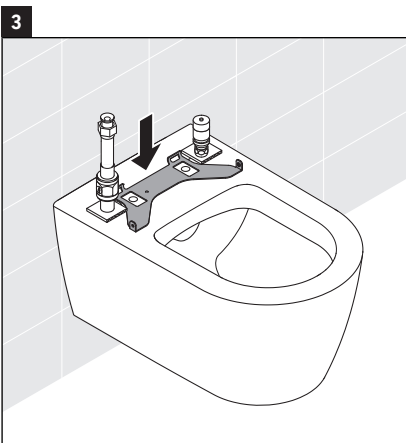
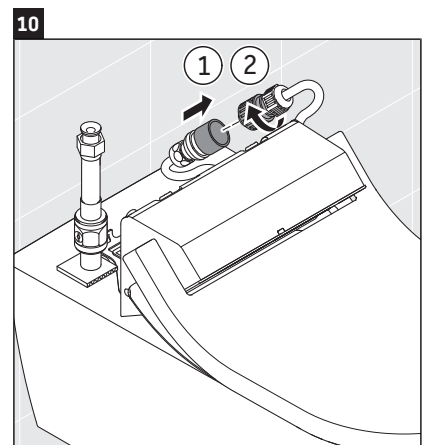
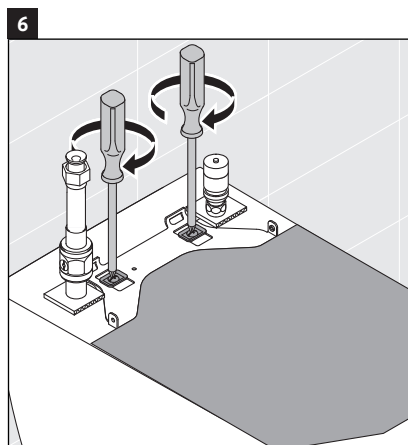
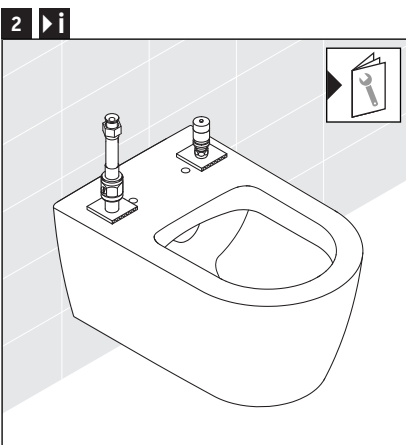
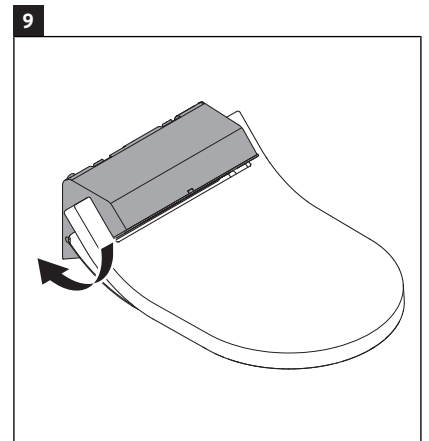
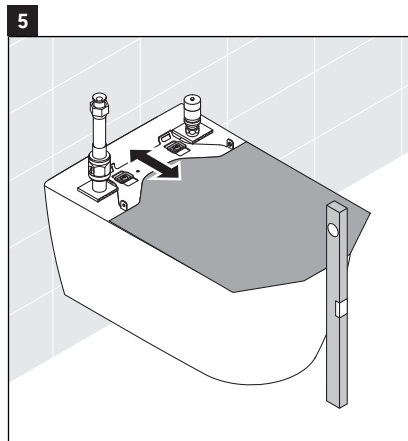
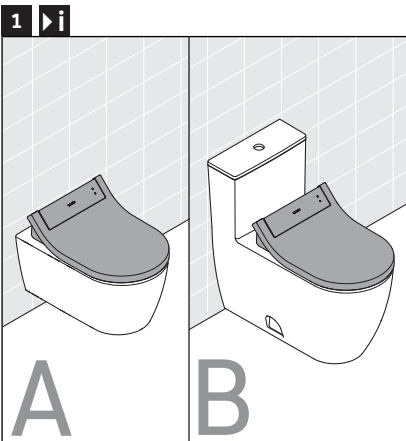
CAUTION

Damage to health caused by dirty, polluted or long standing water

Operating the shower functions with dirty, polluted or long standing water can cause damage to health.

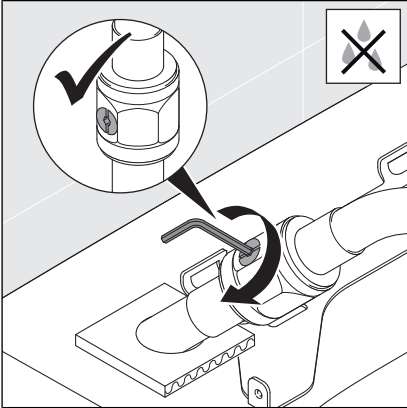
- > If the product has NOT been used for two weeks or more, activate the additional self-cleaning.



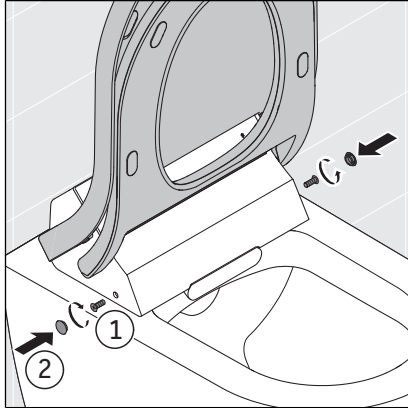




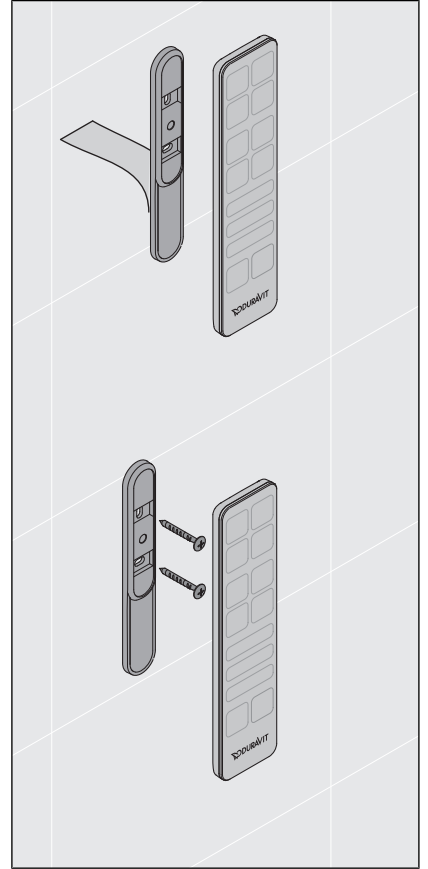
13



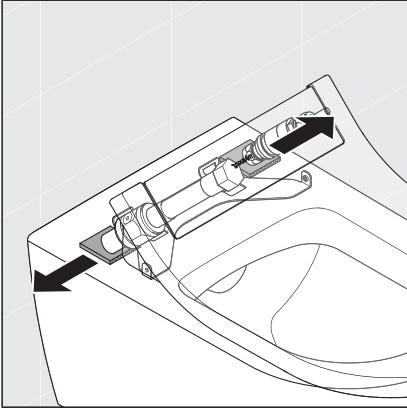
17



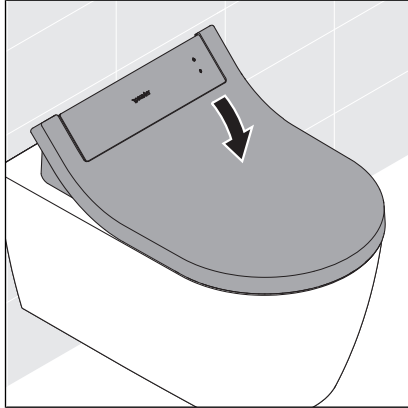
20



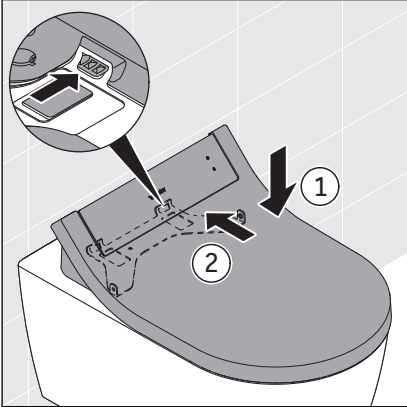
14



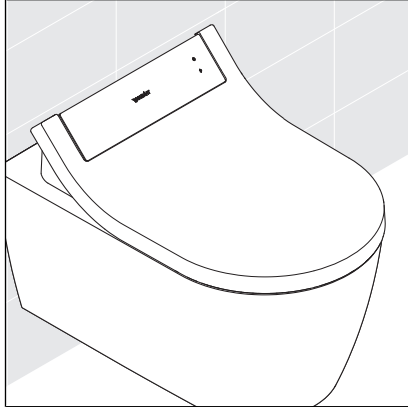
18



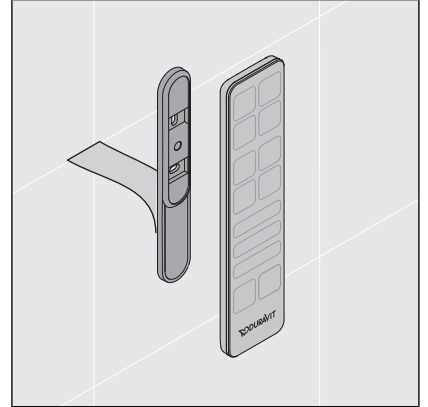
15



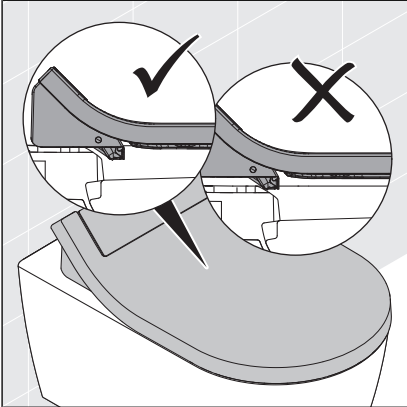
19



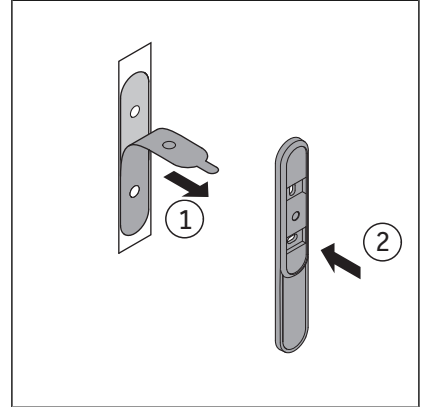
21

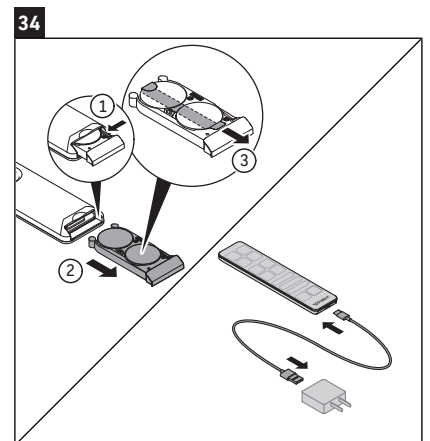
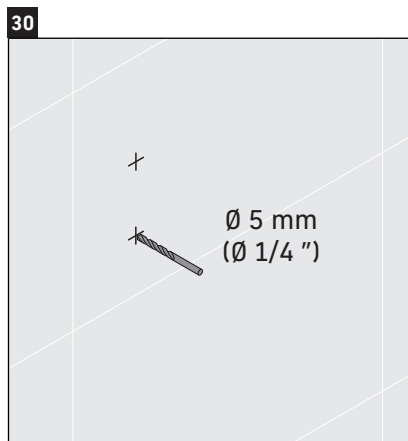
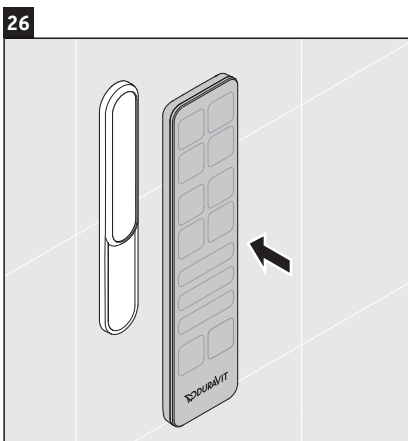
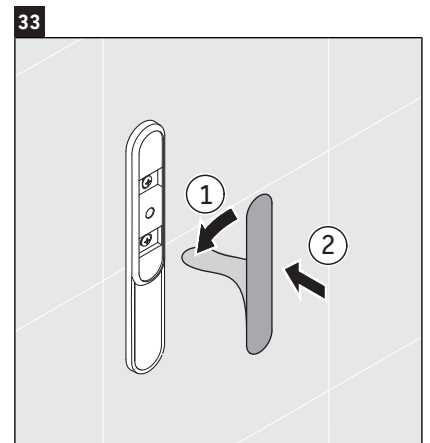
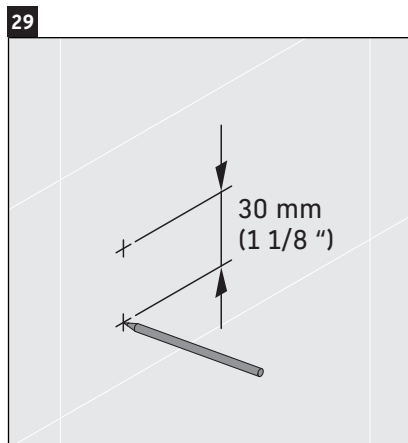
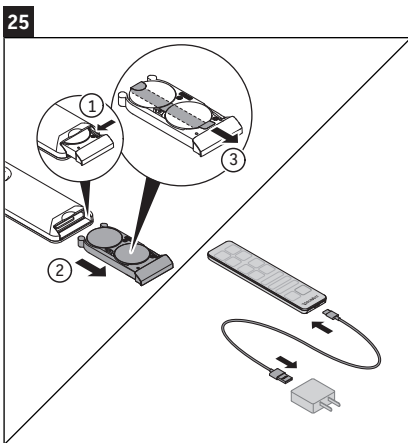
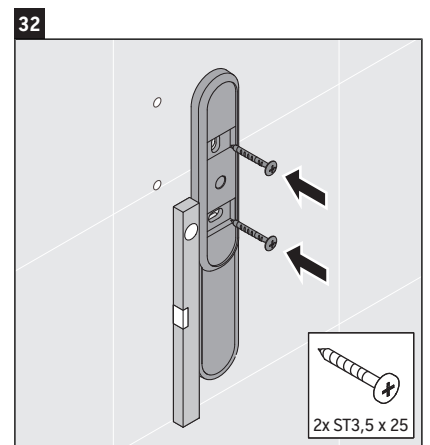
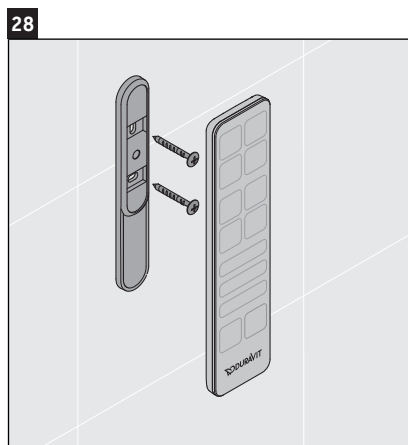
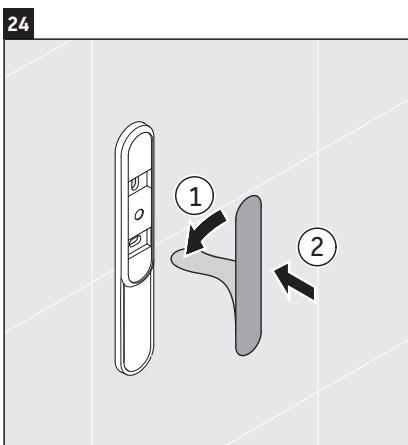
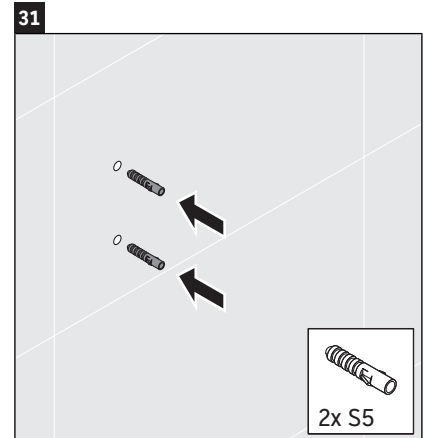
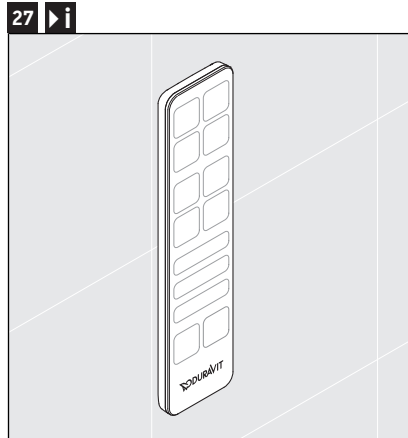
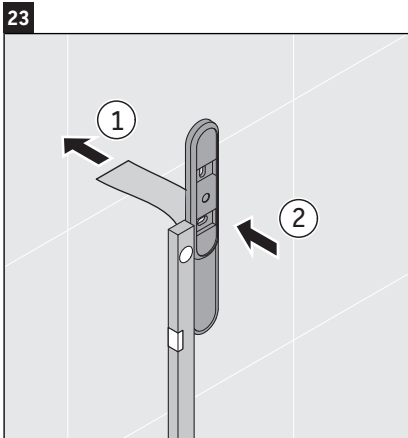


16



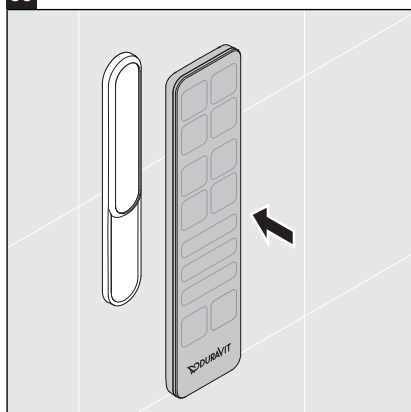
22



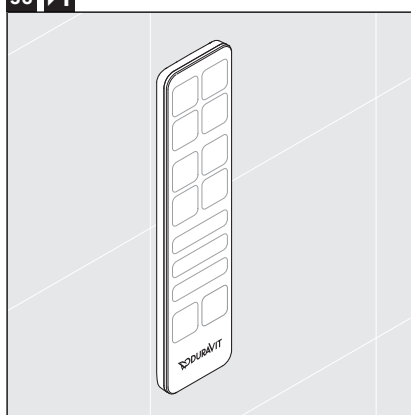




35



36 ▶ i



Duravit AG
P.O. Box 240
Werderstr. 36
78132 Hornberg
Germany
Phone +49 78 33 70 0
Fax +49 78 33 70 289
info@duravit.com
www.duravit.com

